

CB1300 SERIES

3/8" WIRE ROPE

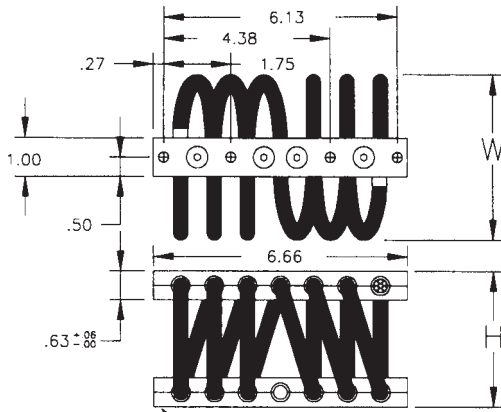
HELICAL



DFA Sales

www.Korfund.com

info@Korfund.com



MOUNTING HOLE
SUFFIX OPTIONS

- 1] BLANK = Ø .28 THRU 8PL
- C2= Ø .28 THRU
- C'SINK Ø .52 X 82° 8PL
- I2= #1/4-28 INSERTS 8PL
- CI= #1/4-28 INSERTS 4 PL
- Ø .28 THRU
- C'SINK Ø .52 X 82° 4PL

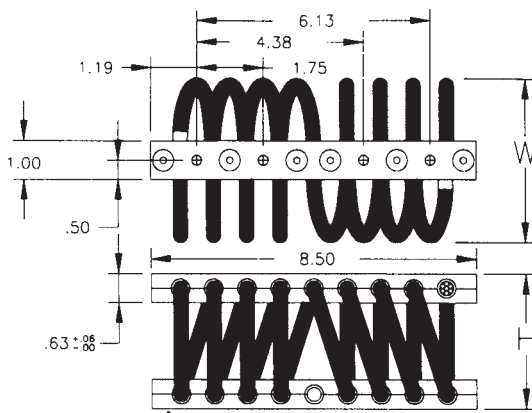
CB 1300 SERIES - 3/8" WIRE ROPE

Isolator Part No.	Nominal Dimensions (in)		Load Mode	Shock Average K (lb/in)	Vibration Average K (lb/in)	Max. Rated Dynamic Travel (in)
	H±.06	W (REF)				
CB1300-15-[]	2.80	3.31	Compression	1310	3395	1.00
			Shear/Roll 45° C/R	555	550	1.20
CB1300-20-[]	2.90	3.50	Compression	1005	2445	1.20
			Shear/Roll 45° C/R	420	445	1.40
CB1300-30-[]	3.00	4.13	Compression	655	1315	1.40
			Shear/Roll 45° C/R	300	345	1.60
CB1300-25-[]	3.25	4.25	Compression	520	1030	1.60
			Shear/Roll 45° C/R	235	270	1.80
CB1300-35-[]	3.50	4.25	Compression	415	775	1.80
			Shear/Roll 45° C/R	175	215	2.00
CB1300-40-[]	4.13	4.75	Compression	190	545	3.20
			Shear/Roll 45° C/R	300	600	2.20
CB1300-50-[]	4.25	5.50	Compression	130	140	2.40
			Shear/Roll 45° C/R	125	420	4.00
CB1300-50-[]	4.25	5.50	Compression	200	355	2.40
			Shear/Roll 45° C/R	100	110	2.60
				85	300	4.40

ISOLATOR APPROXIMATE WEIGHT 1.5 - 2.5 lbs.

CB1380 SERIES

3/8" WIRE ROPE



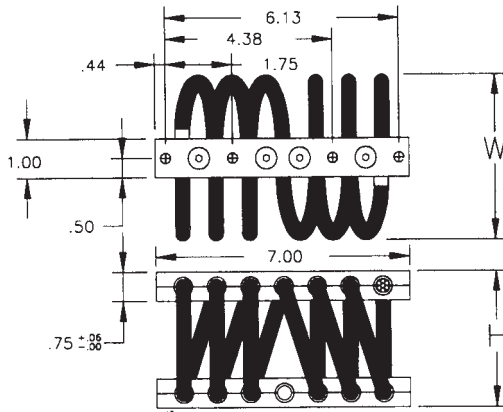
MOUNTING HOLE
SUFFIX OPTIONS

- 1] BLANK = Ø .28 THRU 8PL
- C2= Ø .28 THRU
- C'SINK Ø .52 X 82° 8PL
- I2= #1/4-28 INSERTS 8PL
- CI= #1/4-28 INSERTS 4 PL
- Ø .28 THRU
- C'SINK Ø .52 X 82° 4PL

CB 1380 SERIES - 3/8" WIRE ROPE

Isolator Part No.	Nominal Dimensions (in)		Load Mode	Shock Average K (lb/in)	Vibration Average K (lb/in)	Max. Rated Dynamic Travel (in)
	H±.06	W (REF)				
CB1380-15-[]	2.80	3.31	Compression	1745	4525	1.00
			Shear/Roll 45° C/R	740	735	1.20
CB1380-20-[]	2.90	3.50	Compression	835	2480	1.60
			Shear/Roll 45° C/R	1340	3260	1.20
CB1380-30-[]	3.00	4.13	Compression	560	595	1.40
			Shear/Roll 45° C/R	625	2075	2.00
CB1380-30-[]	3.00	4.13	Compression	875	1750	1.40
			Shear/Roll 45° C/R	400	460	1.60
CB1380-25-[]	3.25	4.25	Compression	410	1345	2.40
			Shear/Roll 45° C/R	690	1370	1.60
CB1380-25-[]	3.25	4.25	Compression	310	360	1.80
			Shear/Roll 45° C/R	315	1085	2.80
CB1380-35-[]	3.50	4.25	Compression	555	1030	1.80
			Shear/Roll 45° C/R	235	285	2.00
CB1380-35-[]	3.50	4.25	Compression	250	725	3.20
			Shear/Roll 45° C/R	400	800	2.20
CB1380-40-[]	4.13	4.75	Compression	175	185	2.40
			Shear/Roll 45° C/R	165	560	4.00
CB1380-50-[]	4.25	5.50	Compression	265	475	2.40
			Shear/Roll 45° C/R	135	145	2.60
				115	400	4.40

ISOLATOR APPROXIMATE WEIGHT 2.2 - 3.2 lbs.



MOUNTING HOLE
 SUFFIX OPTIONS

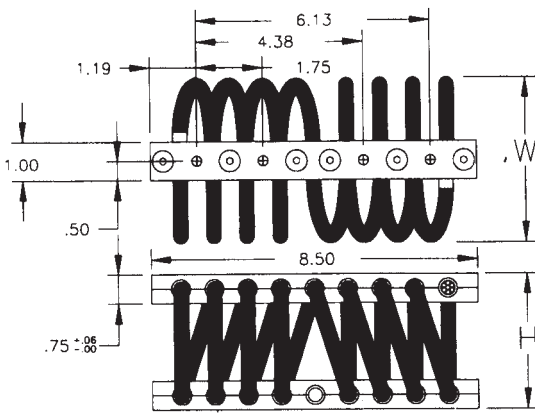
- [] BLANK = Ø .328 THRU 8PL
- C2= Ø .328 THRU
 C'SINK Ø .66 X 82° 8PL
- I2= #1/4-28 INSERTS 8PL
- CI= #1/4-28 INSERTS 4PL
 Ø .328 THRU
 C'SINK Ø .66 X 82° 4PL

CB6 1400 SERIES - 1/2" WIRE ROPE

Isolator Part No.	Nominal Dimensions (in)		Load Mode	Shock Average K (lb/in)	Vibration Average K (lb/in)	Max. Rated Dynamic Travel (in)
	H±.06	W (REF)				
CB61400-15-[]	3.25	4.00	Compression	1990	4895	1.40
			Shear/Roll 45° C/R	810	1105	1.60
CB61400-17-[]	3.50	4.13	Compression	1570	3750	1.60
			Shear/Roll 45° C/R	650	805	1.80
CB61400-20-[]	3.75	4.75	Compression	1025	2740	2.00
			Shear/Roll 45° C/R	555	555	2.00
CB61400-30-[]	4.25	5.25	Compression	680	1690	2.40
			Shear/Roll 45° C/R	315	420	2.40
CB61400-40-[]	4.90	5.65	Compression	500	1275	2.80
			Shear/Roll 45° C/R	240	320	2.80
CB61400-50-[]	5.40	6.13	Compression	375	940	3.20
			Shear/Roll 45° C/R	195	285	3.20
CB61400-60-[]	6.10	7.10	Compression	200	395	4.00
			Shear/Roll 45° C/R	110	125	3.60

ISOLATOR APPROXIMATE WEIGHT 2.9 - 4.6 lbs.

CB1400 SERIES



MOUNTING HOLE
 SUFFIX OPTIONS

- [] BLANK = Ø .328 THRU 8PL
- C2= Ø .328 THRU
 C'SINK Ø .66 X 82° 8PL
- I2= #1/4-28 INSERTS 8PL
- CI= #1/4-28 INSERTS 4 PL
 Ø .328 THRU
 C'SINK Ø .66 X 82° 4PL

CB 1400 SERIES - 1/2" WIRE ROPE

Isolator Part No.	Nominal Dimensions (in)		Load Mode	Shock Average K (lb/in)	Vibration Average K (lb/in)	Max. Rated Dynamic Travel (in)
	H±.06	W (REF)				
CB1400-15-[]	3.25	4.00	Compression	2650	6525	1.40
			Shear/Roll 45° C/R	1080	1475	1.60
CB1400-17-[]	3.50	4.13	Compression	2090	5000	1.60
			Shear/Roll 45° C/R	865	1075	1.80
CB1400-20-[]	3.75	4.75	Compression	1365	3650	2.00
			Shear/Roll 45° C/R	740	740	2.00
CB1400-30-[]	4.25	5.25	Compression	905	2250	2.40
			Shear/Roll 45° C/R	420	560	2.40
CB1400-40-[]	4.90	5.65	Compression	665	1700	2.80
			Shear/Roll 45° C/R	320	425	2.80
CB1400-50-[]	5.40	6.13	Compression	500	1250	3.20
			Shear/Roll 45° C/R	260	380	3.20
CB1400-60-[]	6.10	7.10	Compression	265	525	4.00
			Shear/Roll 45° C/R	145	165	3.60

ISOLATOR APPROXIMATE WEIGHT 3.8 - 6.1 lbs.

CB1500 SERIES

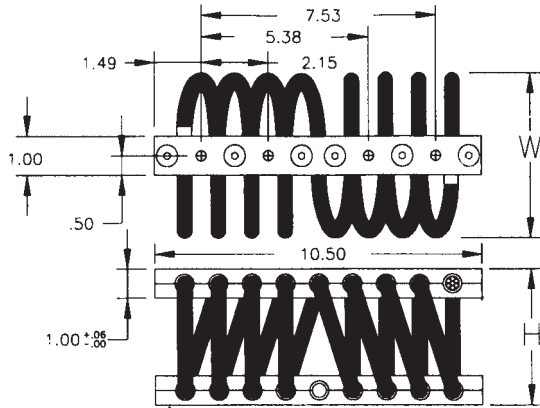
5/8" WIRE ROPE

HELICAL



DFA Sales

www.Korfund.com
info@Korfund.com



MOUNTING HOLE SUFFIX OPTIONS

- [] BLANK = Ø .41 THRU 8PL
- C2= Ø .41 THRU C'SINK Ø .81 X 82° 8PL
- I2= #3/8-24 INSERTS 8PL
- CI= #3/8-24 INSERTS 4 PL Ø .41 THRU C'SINK Ø .81 X 82° 4PL

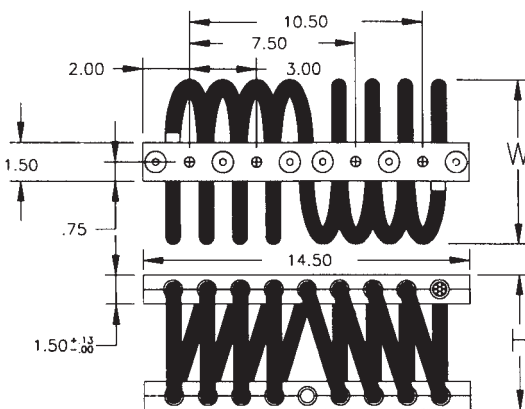
CB 1500 SERIES - 5/8" WIRE ROPE

Isolator Part No.	Nominal Dimensions (in)		Load Mode	Shock Average K (lb/in)	Vibration Average K (lb/in)	Max. Rated Dynamic Travel (in)
	H±.06	W (REF)				
CB1500-12-[]	3.50	4.00	Compression	5375	12625	1.20
			Shear/Roll 45° C/R	2735	2950	1.20
CB1500-15-[]	3.90	4.40	Compression	3655	8095	1.40
			Shear/Roll 45° C/R	1870	2100	1.40
CB1500-20-[]	4.30	5.30	Compression	2585	5525	1.80
			Shear/Roll 45° C/R	1250	1350	1.80
CB1500-30-[]	4.70	6.00	Compression	1610	3425	2.20
			Shear/Roll 45° C/R	800	1060	2.20
CB1500-40-[]	5.00	6.50	Compression	995	2425	3.20
			Shear/Roll 45° C/R	560	750	2.40
CB1500-50-[]	5.30	7.00	Compression	620	1675	3.60
			Shear/Roll 45° C/R	795	1700	3.20
			440	550	3.20	
				1275	4.40	

ISOLATOR APPROXIMATE WEIGHT 5.9 - 10.6 lbs.

CB1700 SERIES

7/8" WIRE ROPE



MOUNTING HOLE SUFFIX OPTIONS

- [] BLANK = Ø .53 THRU 8PL
- C2= Ø .53 THRU C'SINK Ø .99 X 82° 8PL
- T2= #1/2-13 TAPS 8PL
- CT= #1/2-13 TAPS 4 PL Ø .53 THRU C'SINK Ø .99 X 82° 4PL

*INSERTS ARE NOT AVAILABLE FOR THE LARGER SERIES ISOLATORS

CB 1700 SERIES - 7/8" WIRE ROPE

Isolator Part No.	Nominal Dimensions (in)		Load Mode	Shock Average K (lb/in)	Vibration Average K (lb/in)	Max. Rated Dynamic Travel (in)
	H±.06	W (REF)				
CB1700-15-[]	5.25	5.50	Compression	7565	20000	2.00
			Shear/Roll 45° C/R	3890	3750	2.00
CB1700-17-[]	6.00	6.50	Compression	4495	14250	2.40
			Shear/Roll 45° C/R	5815	2675	2.40
CB1700-20-[]	6.25	7.00	Compression	3140	8750	3.20
			Shear/Roll 45° C/R	3695	8500	2.80
CB1700-30-[]	7.50	8.25	Compression	1775	1550	2.80
			Shear/Roll 45° C/R	2035	5500	3.60
CB1700-40-[]	8.50	9.25	Compression	1925	4750	3.60
			Shear/Roll 45° C/R	900	815	3.60
			1140	3250	4.80	
			1285	3650	4.00	
			545	600	4.00	
			675	1900	6.40	

ISOLATOR APPROXIMATE WEIGHT 18 - 30 lbs.

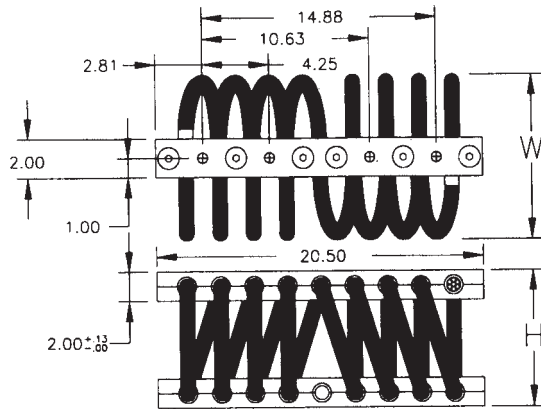


DFA Sales
 www.Korfund.com
 info@Korfund.com

HELICAL

CB1900 SERIES

1-1/8" WIRE ROPE



MOUNTING HOLE
 SUFFIX OPTIONS

- [] BLANK - Ø .78 THRU 8PL
- C2= Ø .78 THRU
 C'SINK Ø 1.44 X 82° 8PL
- T2= #3/4-10 TAP 8PL
- CT= #3/4-10 TAP 4PL
 Ø .78 THRU
 C'SINK Ø 1.44 X 82° 4PL

*INSERTS ARE NOT AVAILABLE FOR
 THE LARGER SERIES ISOLATORS

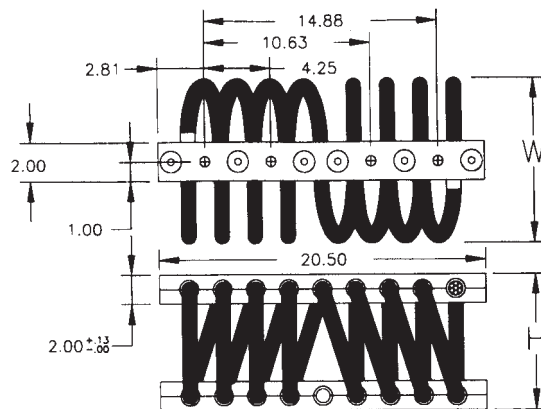
CB 1900 SERIES - 1-1/8" WIRE ROPE

Isolator Part No.	Nominal Dimensions (in)		Load Mode	Shock Average K (lb/in)	Vibration Average K (lb/in)	Max. Rated Dynamic Travel (in)
	H±.06	W (REF)				
CB1900-10-[]	7.00	8.00	Compression	5565	10500	2.00
			Shear/Roll	2620	2375	2.00
			45° C/R	3545	7250	2.40
CB1900-12-[]	8.50	9.50	Compression	3180	7250	3.20
			Shear/Roll	1650	1785	3.20
			45° C/R	1840	4625	4.00
CB1900-15-[]	9.25	10.25	Compression	2190	5000	4.00
			Shear/Roll	1125	1375	4.00
			45° C/R	1130	3375	6.40

ISOLATOR APPROXIMATE WEIGHT 32 - 50 lbs.

CB2000 SERIES

1-1/4" WIRE ROPE



MOUNTING HOLE
 SUFFIX OPTIONS

- [] BLANK - Ø .78 THRU 8PL
- C2= Ø .78 THRU
 C'SINK Ø 1.44 X 82° 8PL
- I2= #3/4-10 TAP 8PL
- CT= #3/4-10 TAP 4PL
 Ø .788 THRU
 C'SINK Ø 1.44 X 82° 4PL

*INSERTS ARE NOT AVAILABLE FOR
 THE LARGER SERIES ISOLATORS

CB 2000 SERIES - 1-1/4" WIRE ROPE

Isolator Part No.	Nominal Dimensions (in)		Load Mode	Shock Average K (lb/in)	Vibration Average K (lb/in)	Max. Rated Dynamic Travel (in)
	H±.06	W (REF)				
CB2000-10-[]	7.00	8.25	Compression	10000	18600	2.00
			Shear/Roll	5100	5000	2.20
			45° C/R	4500	12000	3.20
CB2000-12[]	8.50	9.75	Compression	5900	12000	3.20
			Shear/Roll	2900	3000	3.20
			45° C/R	3200	8000	4.00

ISOLATOR APPROXIMATE WEIGHT 48 - 57 lbs.