

Series CE/CESS

Steel Spring Vibration Isolators

Features/Benefits

- Effective Vibration Control
- Loads up to 10,500 lbs.
- Static Deflections up to 1.36"
- Available with, or without adjustable snubbing
- Rugged cast-iron housing
- Quickly and easily installed

Applications

- Stationary Equipment
- HVAC Equipment
- Compressors, Pumps
- Motor Generator Sets
- Fans, Blowers

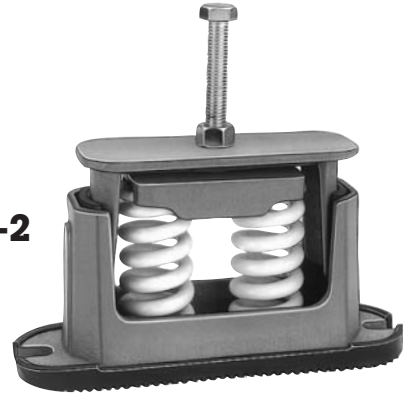
Korfund Series CE/CESS Spring Isolators are available in 4 sizes for loads up to 10,500 lbs., and static deflections up to 1.36". See Load/Deflection tables for actual ratings. Cast-iron housings are shop primed with a rust inhibitor primer. All nuts and bolts are electro zinc plated, and coil springs are powder coated and color coded for easy identification.

Optional: Series CESS-1 and CESS-2 Isolators are furnished with adjustable horizontal snubbing devices to control oscillation and withstand lateral forces. (Not available on CE-4 or CE-7). All dimensions, loads, deflections, are the same as CE-1 and CE-2 un-snubbed mounts.

CE-1



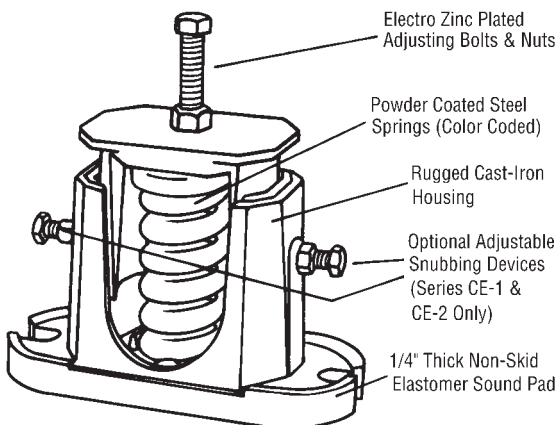
CE-2



CE-4



CE-7



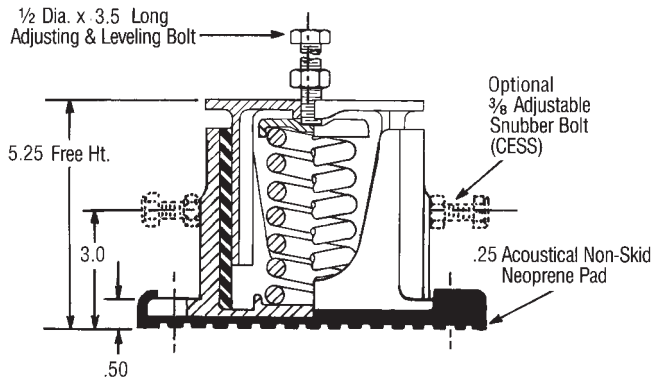
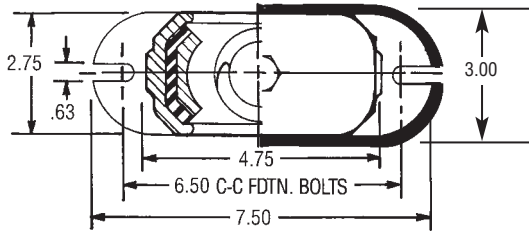
CE-1 Series

Loads/Deflections

Type & Size	Max. Load	Deflection (inches)	Isolator Constant Pounds/Inch	Spring Color	No. of Springs
CE-1-19	85	1.36	63	PINK	ONE
CE-1-21	115	1.31	87	BLACK	
CE-1-22	170	1.28	133	BLUE	
CE-1-23	225	1.26	179	YELLOW	
CE-1-24	325	1.23	264	BROWN	
CE-1-25	450	1.22	368	RED	
CE-1-26	600	1.17	513	PURPLE	
CE-1-27	750	1.06	707	ORANGE	
CE-1-28	900	1.02	881	GREEN	
CE-1-31	1100	.83	1327	GRAY	
CE-1-32	1300	.74	1758	WHITE	
*CE-1-35	1500	.70	2145	GOLD	

*Free Height .50 higher than shown in diagram

Note: Series CESS-1 has the same dimensions, loads & deflections as Series CE-1



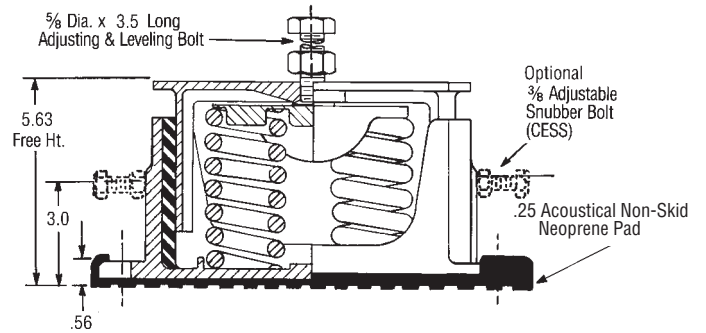
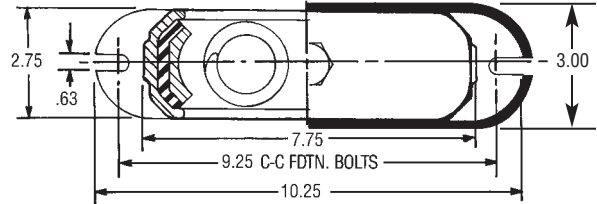
CE-2 Series

Loads/Deflections

Type & Size	Max. Load	Deflection (inches)	Isolator Constant Pounds/Inch	Spring Color	No. of Springs
CE-2-25	900	1.22	736	RED	TWO
CE-2-26	1200	1.17	1026	PURPLE	
CE-2-27	1500	1.06	1414	ORANGE	
CE-2-28	1800	1.02	1762	GREEN	
CE-2-31	2200	.83	2654	GRAY	
CE-2-32	2600	.74	3516	WHITE	
*CE-2-35	3000	.70	4290	GOLD	

*Free Height .50 higher than shown in diagram

Note: Series CESS-2 has the same dimensions, loads & deflections as Series CE-2



DFA Sales

www.Korfund.com

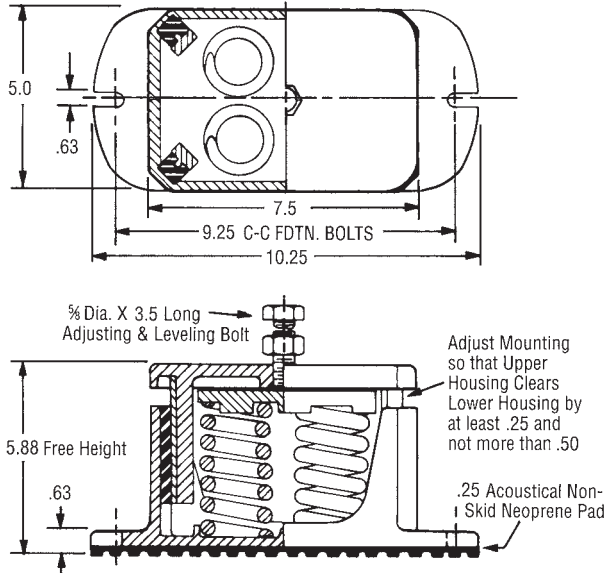
info@Korfund.com

CE-4 Series

Loads/Deflections

Type & Size	Max. Load	Deflection (inches)	Isolator Constant Pounds/Inch	Spring Color	No. of Springs
CE-4-25	1800	1.22	1475	RED	4
CE-4-26	2400	1.17	2051	PURPLE	
CE-4-27	3000	1.06	2830	ORANGE	
CE-4-28	3600	1.02	3529	GREEN	
CE-4-31	4400	.83	5301	GRAY	
CE-4-32	5200	.74	7027	WHITE	
CE-4-35	6000	.70	8571	GOLD	

*Free Height .50 higher than shown in diagram

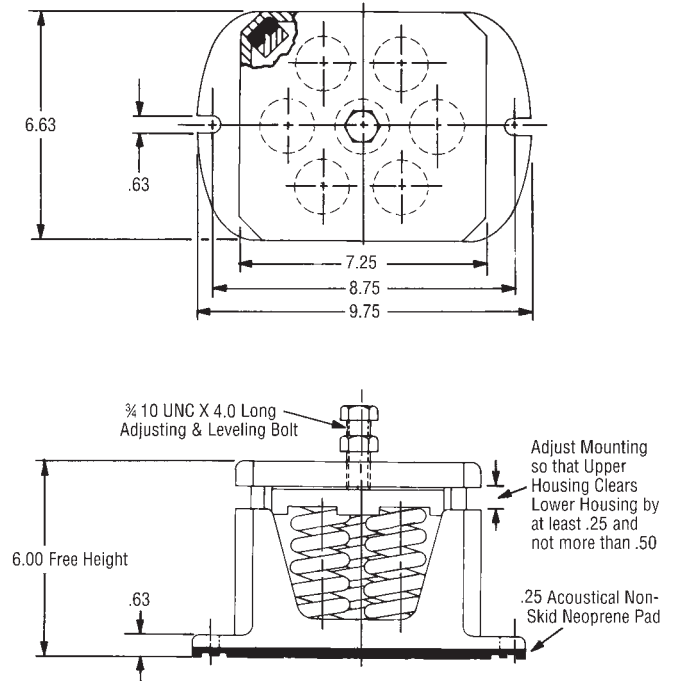


CE-7 Series

Loads/Deflections

Type & Size	Max. Load	Deflection (inches)	Isolator Constant Pounds/Inch	Spring Color	No. of Springs
CE-7-25	3150	1.22	2581	RED	7
CE-7-26	4200	1.17	3589	PURPLE	
CE-7-27	5250	1.06	4592	ORANGE	
CE-7-28	6300	1.02	6176	GREEN	
CE-7-31	7700	.83	9277	GRAY	
CE-7-32	9100	.74	12297	WHITE	
CE-7-35	10500	.70	15000	GOLD	

*Free Height .50 higher than shown in diagram



DFA Sales

www.Korfund.com

info@Korfund.com