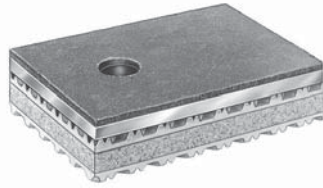


ELASTO- RIB SERIES



260 - 12,000 LB
LOAD RANGE



DFA Sales
www.Korfund.com
info@Korfund.com

APPLICATIONS



Obsolete Series - Contact us for current replacement

CROSS-RIB MOUNTING PADS

Type 'EU' universal Elasto-Rib Damper is furnished with a load distributing steel plate permanently bonded to the Elasto-Rib pad, for use where the machine leg is smaller than the area of Elasto-Rib required, or when mounting without built-in levelling is needed. Installation is simple – the machine may normally be placed on the damper's non-skid top plate without any

fastening or may be cemented (see arrangement 1 in Technical section), or bolted through the offset hole provided (arrangement 2). Resilient washers required for arrangement 2 are furnished at no charge with all EU dampers. Machines having built-in levelling devices are installed as shown in arrangement 3.

FEATURES & BENEFITS

- Load ranges from 260 to 12,000 psi satisfy a wide variety of deflection requirements.
- Installation options using cement or bolts provide easy set-up for a variety of machinery requirements.
- Color-coded, oil-resistant elastomer provides simple identification and durability.
- Non-skid top plate provides simple installation without any fastening.

APPLICATIONS

- Air conditioners
- Processing equipment
- Cooling towers
- Crushers
- Engine gensets
- Textile machinery
- Hammers
- Transformers
- Punch Presses
- Shearing equipment
- Lathes
- Pumps
- Compressors
- Fans
- Chillers
- General industrial machinery

NOTE: VMC can mold almost any elastomer into any of its elastomer mount products. Special materials include, but are not limited to, natural rubber, Weather Resistant (WR), High Damped Silicone, Extreme High Temperature (EHT) Silicone, Nitrile and EPDM. Many of these are color coded by hardness.

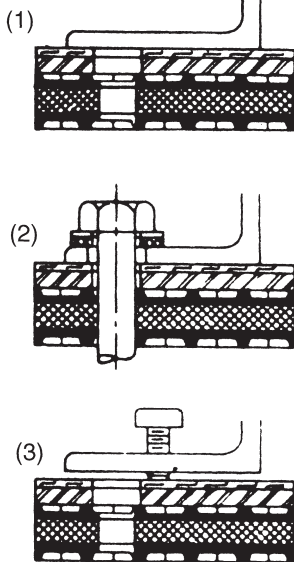
TECHNICAL

MODEL #	MAX. LOAD, lbs.		DIMENSIONS, ins.			
	NON-IMPACT	IMPACT†	A	B	C	D
EU-4	390*	260	2 3/4	2 1/2	3/8	5/8
EU-5	545*	362	4	2 1/2	1	5/8
EU-8	785	523	2 3/4	2 1/2	5/8	5/8
EU-10	1090	728	4	2 1/2	1	5/8
EU-14	1440*	960	6	4	1 1/2	5/8
EU-21	2100*	1400	7	5	2	5/8
EU-28	2880	1920	6	4	1 1/2	5/8
EU-42	4200	2800	7	5	2	5/8
EU-60	6000*	4000	12	8	4 3/4	3/4
EU-85	8500	5660	10	7	3 1/2	3/4
EU-120	12,000	8000	12	8	4 3/4	3/4

†For machines like punch presses, shears, etc.

*Standard Capacity Elasto-Rib. All others, High Capacity

THREE INSTALLATION ARRANGEMENTS

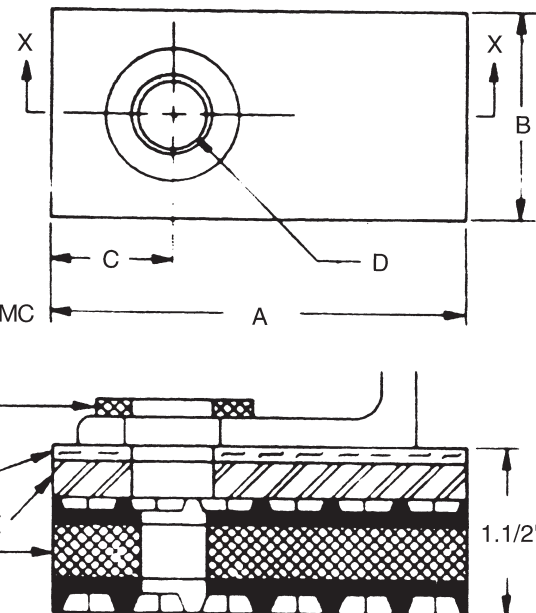


TYPE EU UNIVERSAL ELASTO-RIB DAMPER

FURNISHED BY VMC

RESILIENT WASHER

FELT PAD
STEEL PLATE
ELASTO-RIB



SECTION X - X

BRACKETED ITEMS BONDED AT FACTORY



DFA Sales

www.Korfund.com

info@Korfund.com

NOTE: VMC can mold almost any elastomer into any of its elastomer mount products. Special materials include, but are not limited to, natural rubber, Weather Resistant (WR), High Damped Silicone, Extreme High Temperature (EHT) Silicone, Nitrile and EPDM. Many of these are color coded by hardness.