

# RB Series

## Ring and Bushing, Elastomer Shock and Vibration Mounts

### Features/Benefits

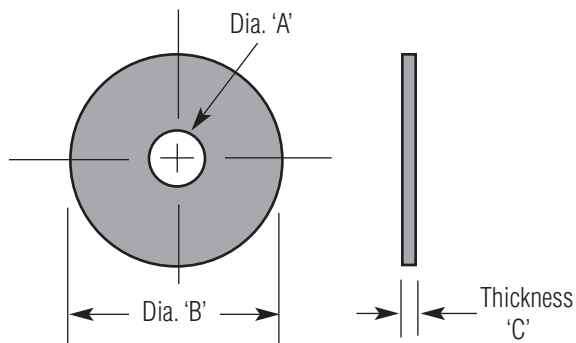
- Static Load Ranges from 30 – 4600 lbs.
- Full rebound protection
- Bonded center tube
- Axial and radial loadings
- Fail-safe design with snubbing washers
- Natural frequency 10 – 15 Hz at max. rated load
- Structureborne noise attenuation

### Construction/Material Data

- Structural sections – carbon steel
- Rust-resistant coating on metal surfaces
- Neoprene elastomer
  - Resists oils, ozone and most solvents
  - Operating temperature range (-20°F to +180°F)
  - Damping ratio  $C/C_C = 0.1$  (transmissibility approx. 5:1 at resonance)

### Applications

- Highway and off-highway vehicles
  - Isolate engines, cabs, radiators, battery boxes, fuel tanks and accessories
- Motor generators and compressors
- Pumps and centrifuges
- Marine equipment and power plants
- HVAC equipment
- Portable equipment and machinery
- Office equipment/computers



### RB Series Snubbing Washers\* Dimensions (in.)

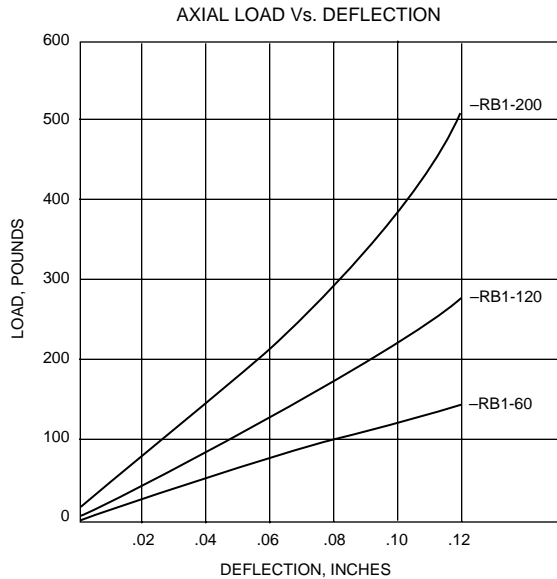
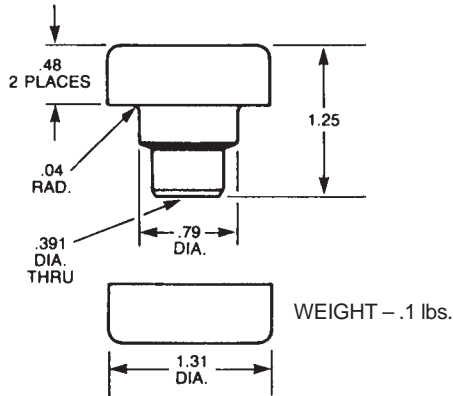
	Dia. 'A'	Dia. 'B'	Thickness 'C'	Part No.
RB1 Series	.40	1.56	.09	148099-1
RB2 Series	.51	2.00	.13	148099-18
RB3 Series	.66	2.81	.19	148099-3
RB4 Series	.94	3.88	.25	148099-4
RB5 Series	1.06	5.25	.38	148099-2

\*Zinc Plated Carbon Steel



## RB1 Series

Part Number	Axial Static Load, Max. (Pounds)	Radial Static Load, Max. (Pounds)
RB1-60	60	30
RB1-120	120	40
RB1-200	200	50

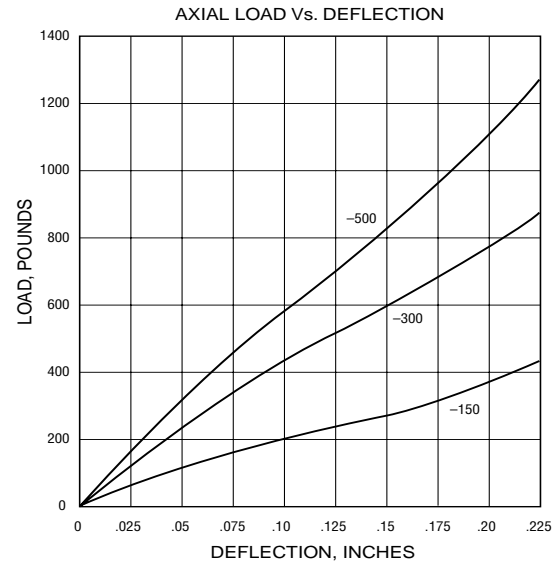
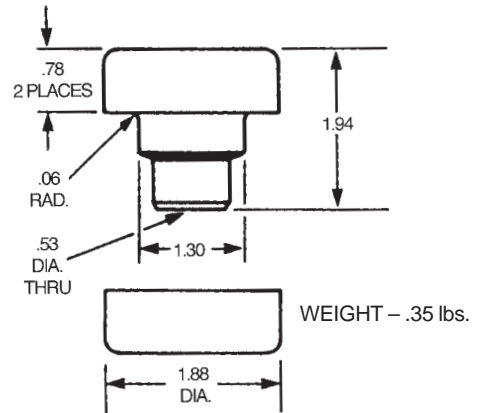


### LOAD Vs. NATURAL FREQUENCY

Part Number	Mounting Plate Thickness (Inches)	Approximate Natural Frequency (at Max. Load)
RB1-60	.38	15 Hz
RB1-120	.38	15 Hz
RB1-200	.38	15 Hz

## RB2 Series

Part Number	Axial Static Load, Max. (Pounds)	Radial Static Load, Max. (Pounds)
RB2-150	150	60
RB2-300	300	120
RB2-500	500	200



### LOAD Vs. NATURAL FREQUENCY

Part Number	Mounting Plate Thickness (Inches)	Approximate Natural Frequency (at Max. Load)
RB2-150	.56	12 Hz
RB2-300	.56	12 Hz
RB2-500	.56	12 Hz

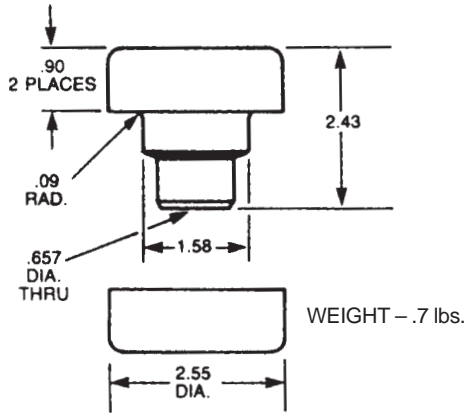


**DFA Sales**

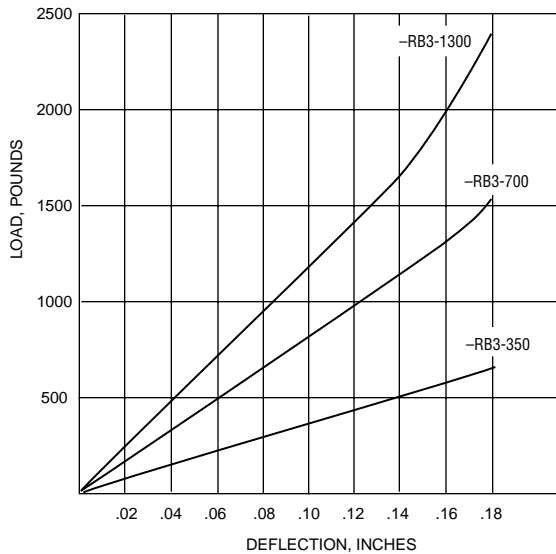
www.Korfund.com  
info@Korfund.com

## RB3 Series

Part Number	Axial Static Load, Max. (Pounds)	Radial Static Load, Max. (Pounds)
RB3-350	350	140
RB3-700	700	300
RB3-1300	1300	650



AXIAL LOAD Vs. DEFLECTION

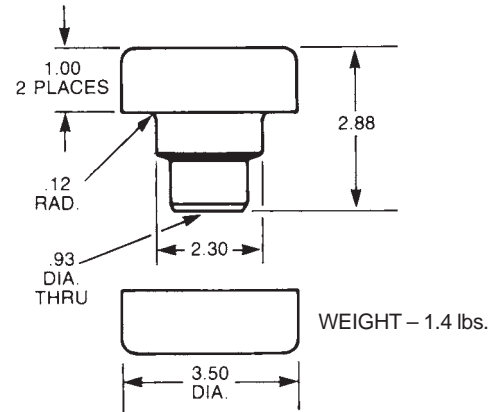


LOAD Vs. NATURAL FREQUENCY

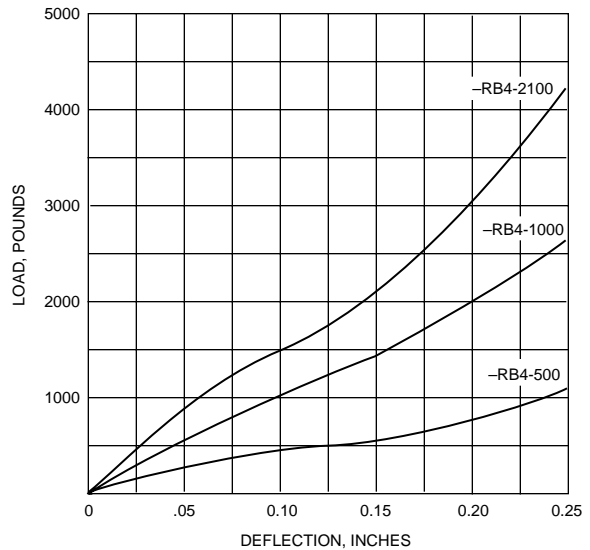
Part Number	Mounting Plate Thickness (Inches)	Approximate Natural Frequency (at Max. Load)
RB3-350	.88	12 Hz
RB3-700	.88	12 Hz
RB3-1300	.88	12 Hz

## RB4 Series

Part Number	Axial Static Load, Max. (Pounds)	Radial Static Load, Max. (Pounds)
RB4-500	500	200
RB4-1000	1000	400
RB4-2100	2100	900



AXIAL LOAD Vs. DEFLECTION



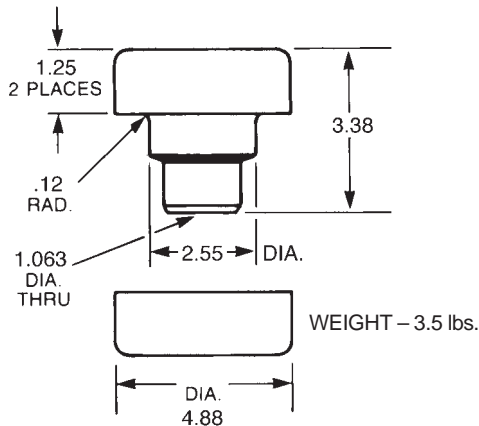
LOAD Vs. NATURAL FREQUENCY

Part Number	Mounting Plate Thickness (Inches)	Approximate Natural Frequency (at Max. Load)
RB4-500	1.12	10 Hz
RB4-1000	1.12	10 Hz
RB4-2100	1.12	10 Hz

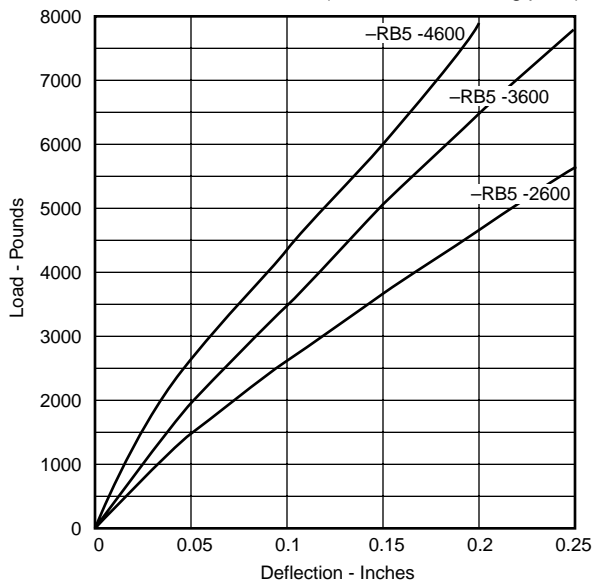


# RB5 Series

Part Number	Axial Static Load, Max. (Pounds)	Radial Static Load, Max. (Pounds)
RB5-2600	2600	1000
RB5-3600	3600	1450
RB5-4600	4600	1900



Axial Load Vs. Deflection (1.25" thick mounting plate)

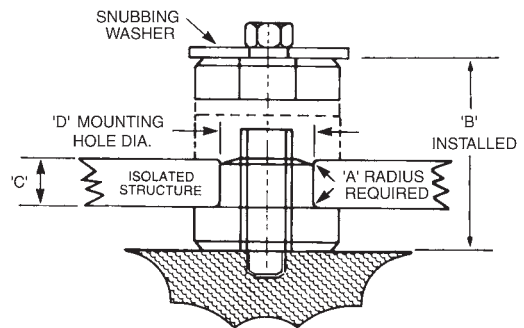
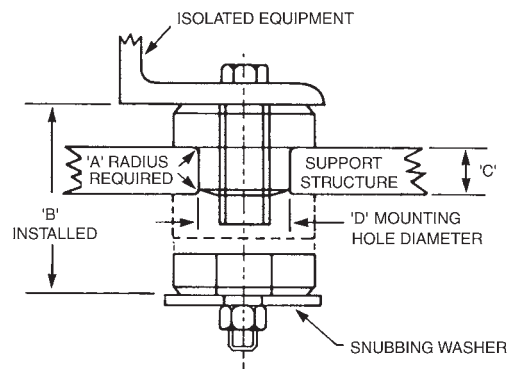


### LOAD Vs. NATURAL FREQUENCY

Part Number	Mounting Plate Thickness (Inches)	Approximate Natural Frequency (at Max. Load)
RB5-2600	1.25	10 Hz
RB5-3600	1.25	10 Hz
RB5-4600	1.25	10 Hz

# Installation Data

## Installation Configurations



### Installation Dimensions (inches)

Mount	A	B	C	D
RB1	.04	1.25	.38	.75
RB2	.06	1.94	.56	1.25
RB3	.09	2.43	.88	1.50
RB4	.12	2.88	1.12	2.25
RB5	.12	3.38	1.25	2.50



**DFA Sales**

[www.Korfund.com](http://www.Korfund.com)

[info@Korfund.com](mailto:info@Korfund.com)

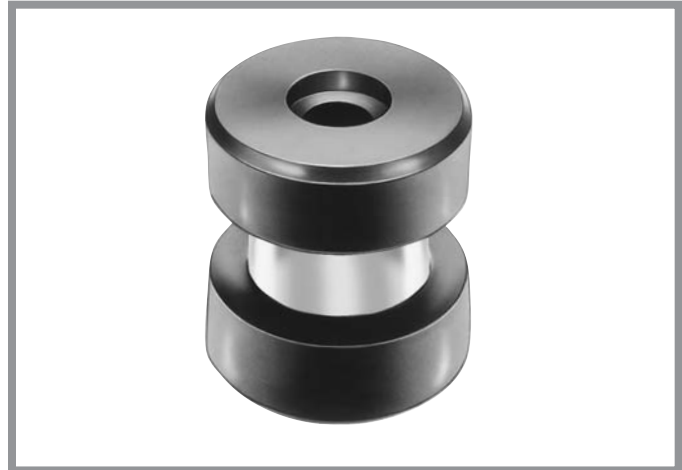
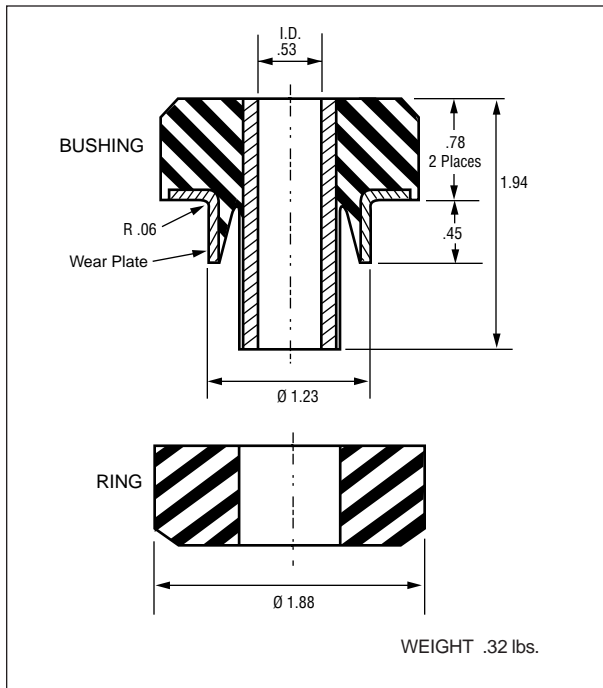
# RBX2 Series

# Ring and Bushing, Elastomer Shock and Vibration Mounts

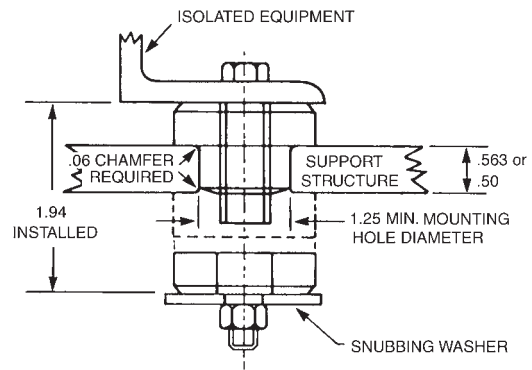
## RBX2 Series

The RBX2 series is a rugged, ring and bushing type mount designed for light load ranges. The integral bonded wear plate provides improved fatigue life and wear resistance for applications where severe shock and vibration conditions exist. Installation is also simplified with this wear plate design due to the fact that a smooth, close tolerance attachment hole is not required. Applications include small engines, pumps, generators, radiators, and operator cabs in severe environments. The mount is fail-safe when used with the recommended snubbing washer. At maximum rated load, the mount exhibits a natural frequency of about 12 Hz when installed in a .56 thick mounting plate. Standard elastomer is neoprene for resistance to oils, ozone, and most solvents.

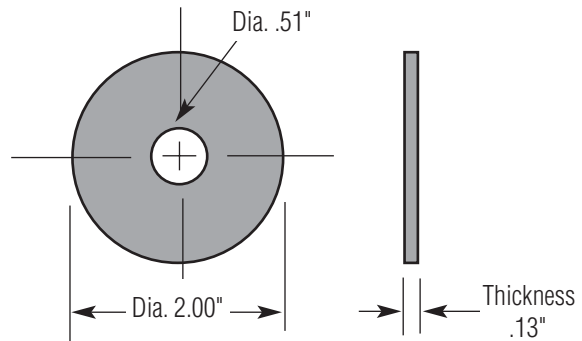
Part No.	Max. Load (lbs.)			
	Thick Mtg. Plate (0.563)		Thin Mtg. Plate (0.50)	
	Axial	Radial	Axial	Radial
RBX2-150	150	75	80	40
RBX2-260	260	130	160	80
RBX2-500	500	250	300	150



### Typical Installation Configuration

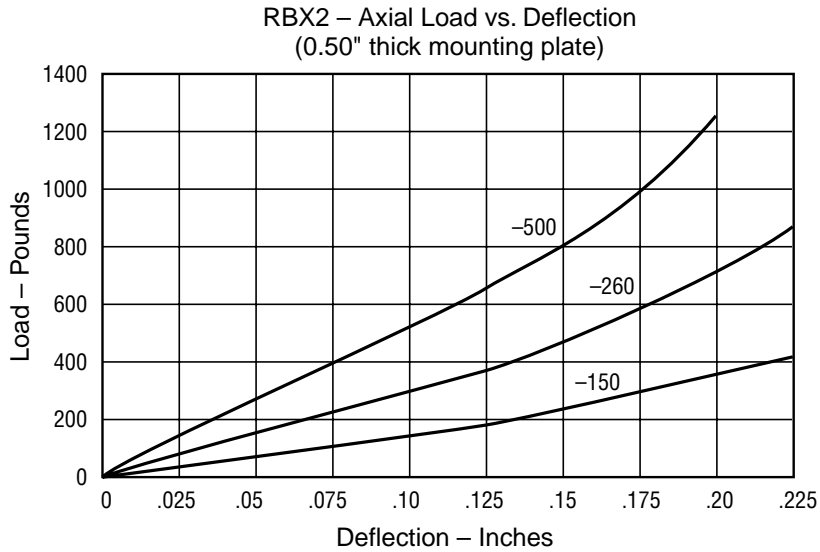
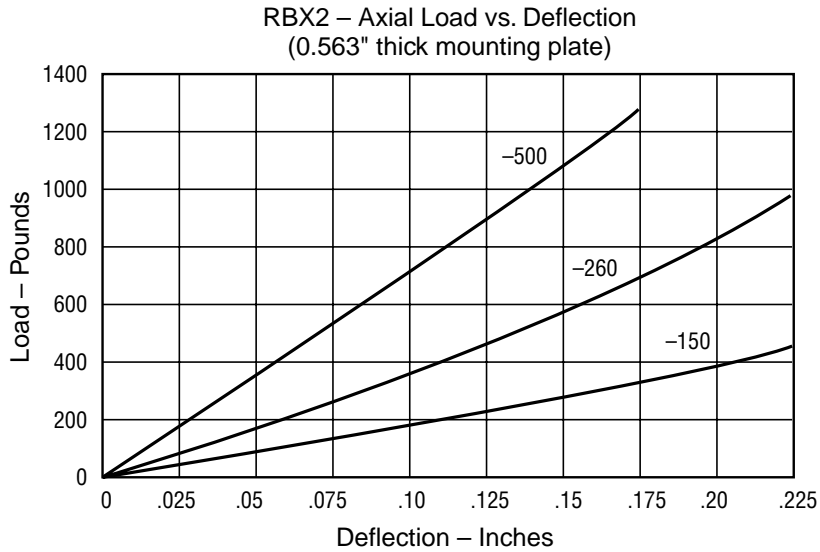


### Snubbing Washer P/N 148099-18 (zinc plated carbon steel)



# RBX2 Series

## RBX2 Series – Axial Load vs. Deflection



**DFA Sales**

[www.Korfund.com](http://www.Korfund.com)

[info@Korfund.com](mailto:info@Korfund.com)