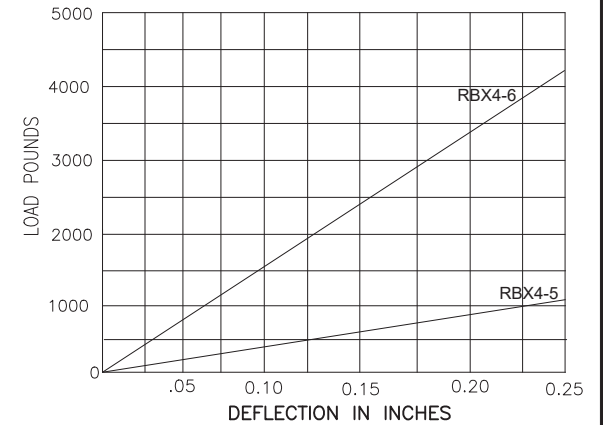
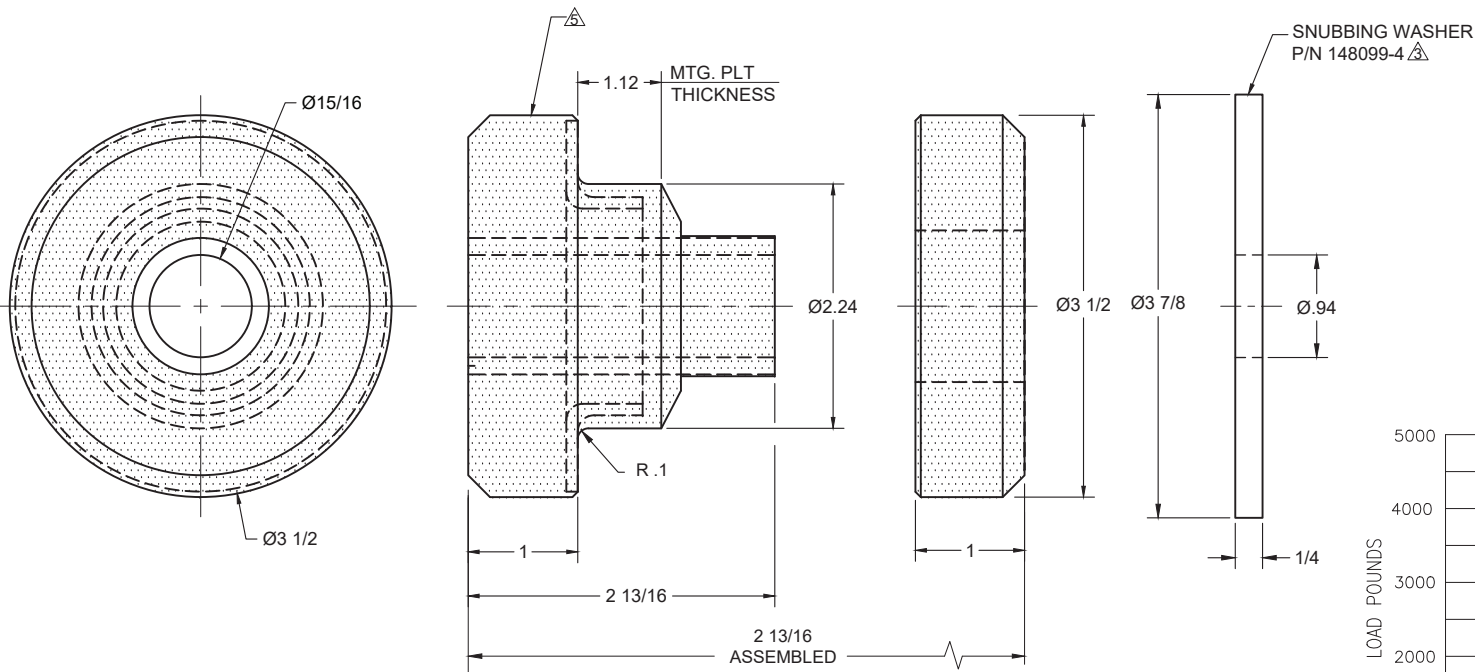


REV.	DESCRIPTION	DATE	BY

PART NUMBER	MODEL NUMBER	AXIAL STATIC LOAD MAX LBS.	RADIAL STATIC LOAD MAX LBS.	SHORE A DUROMETER ± 5	MATERIAL
770058-5	RBX4-5	500	200	40	BR. BRG. NEO.
770058-6	RBX4-6	2100	900	70	BR. BRG. NEO.



- NOTES:
1. ALL DIMENSIONS ARE IN INCHES .INTERPRET PER ANSI Y14
 2. ALL DIMENSIONS ARE NOMINAL AND FOR REFERENCE ONLY.
 3. SNUBBING WASHER IS OPTIONAL, ORDER SEPERATE ON PURCHASE ORDER.
FINISH :YELLOW ZINC PLATED PER ASTM B633 TYPE II, CLASS SC 3 UNLESS OTHERWISE SPECIFIED .
 4. COLOR-CODE "MARK "IS AN ACCEPTABLE ADDITION TO MODEL STAMPING .
- ⚠️ STAMPING SURFACE LOCATION AS MARKED ON DRAWING.

OTHER MATERIALS, COMPOUNDS, OR FINISHES WITH EQUAL OR SUPERIOR PROPERTIES MAY BE SUBSTITUTED AS THEY BECOME AVAILABLE.



DFA Sales
www.Korfund.com
info@Korfund.com

MODEL
 RBX4-4 & -5 500-2100 LBS.
 RING AND BUSHING
 ELASTOMERIC ISOLATOR
 WITH WEAR PLATE

SCALE :

NONE

SHEET:

1



DRAWING NO.:

REVISION